

» Elite® Blade / Elite® Blade LP

Prosthetic Foot

Supplier:

Endolite

Features & Benefits:

- Maximum energy return
- Simple lightweight design, easy to finish
- Promotes dynamic tibial progression
- Full length foot ships partially assembled, with upper housing attached by facility after preparation
- Low profile option available
- Low profile foot ships fully assembled with upper housing attached
- Upper housing includes sliding and rotating pyramid as standard, but will accept 4 bolt attachment (optional)

Specifications:

- Types: *Full length (Blade) and low profile (Blade LP)*
- Sizes: 24–30 cm
- Weight limit: 166kg (365lbs)
- Weight: *Blade= 448g (15.8oz)*
Blade LP= 411g (14.5oz)
(Based on size 26cm foot, without foot shell)
- Spring stiffnesses: 1–9 (see chart)
- Heel height: 10mm ($\frac{3}{8}$ "
- Clearance: *Blade= 365mm (14 $\frac{3}{8}$ "*
Blade LP= 200mm (7 $\frac{7}{8}$ ")
- Foot shell: *Light or dark foot shell*
- Foot shell height: 24–28 cm = 70mm
29–30 cm = 80mm
- Activity level: *Very High (K4)*
(Note: Patient weight determines optimal activity level)
- Foot shell, glide sock and heel wedge included

Indications:

- Transtibial and transfemoral amputees
- Active K3–K4 amputees

Call Points:

- Prosthetist
- Prosthetic technician

Warranty:

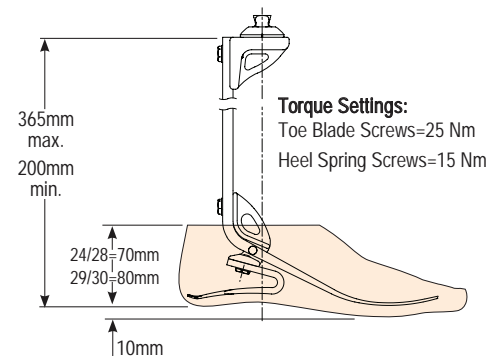
- 36 months, against manufacturers defects



Elite® Blade



Elite® Blade LP



Elite® Blade / Elite® Blade LP » Endolite

Ordering example: EN-EB24L9D

Item No.	Description	Side	Shell Color	Heel Height	Weight*
EN-EB SSLK	High impact prosthetic foot	Left	Light tone	10mm (3/8")	448g (15.8oz)
EN-EB SSLKD	High impact prosthetic foot	Left	Dark tone	10mm (3/8")	448g (15.8oz)
EN-EB SSRK	High impact prosthetic foot	Right	Light tone	10mm (3/8")	448g (15.8oz)
EN-EB SSRKD	High impact prosthetic foot	Right	Dark tone	10mm (3/8")	448g (15.8oz)
EN-EBLP SSLK	Low profile high impact prosthetic foot	Left	Light tone	10mm (3/8")	411g (14.5oz)
EN-EBLP SSLKD	Low profile high impact prosthetic foot	Left	Dark tone	10mm (3/8")	411g (14.5oz)
EN-EBLP SSRK	Low profile high impact prosthetic foot	Right	Light tone	10mm (3/8")	411g (14.5oz)
EN-EBLP SSRKD	Low profile high impact prosthetic foot	Right	Dark tone	10mm (3/8")	411g (14.5oz)

SS = Size (24, 25, 26, 27, 28, 29, 30)

K = Spring kit (1–9)

*Weight based on a 26cm foot, without foot shell

Elite® Blade / Elite® Blade LP » Spring Kit Selection

Patient Weight	Walking and Occasional Sports <i>(golf, hiking and racquet games)</i>	Frequent or Daily Sports <i>(jogging)</i>	Daily High Impact Sports <i>(running, climbing, & lifting heavy objects)</i>
	▼	▼	▼
44–52 kg (100–115 lbs)	1	1	2
53–59 kg (116–130 lbs)	1	2	3
60–68 kg (131–150 lbs)	2	3	4
69–77 kg (151–170 lbs)	3	4	5
78–88 kg (171–195 lbs)	4	5	6
89–100 kg (196–220 lbs)	5	6	7
101–115 kg (221–255 lbs)	6	7	8
116–129 kg (256–285 lbs)	7	8	9
130–147 kg (286–325 lbs)	8	9	–
148–166 kg (326–365 lbs)	9	–	–

Elite® Blade / Elite® Blade LP » Replacement Foot Shell

SIDE	24cm ▼	25cm ▼	26cm ▼	27cm ▼	28cm ▼	29cm ▼	30cm ▼
Light Toned							
Left	EN-539005	EN-539007	EN-539009	EN-539011	EN-539013	EN-539015	EN-539017
Right	EN-539006	EN-539008	EN-539010	EN-539012	EN-539014	EN-539016	EN-539018
Dark Toned							
Left	EN-539005D	EN-539007D	EN-539009D	EN-539011D	EN-539013D	EN-539015D	EN-539017D
Right	EN-539006D	EN-539008D	EN-539010D	EN-539012D	EN-539014D	EN-539016D	EN-539018D