

» KX06®

Polycentric Knee

Supplier:
Endolite

Features & Benefits:

- Ideal for long transfemoral amputations, due to the enhanced knee flexion lever
- Shin section swings back to align with the contra lateral limb
- Longer lever arm assists with compression of the spring
- Provides smoother gait than single axis knees, and requires less effort
- Folds to cosmetically minimize the length of long sockets
- Provides greater toe clearance for a more natural and safe gait
- Multiple proximal adapter options available

Specifications:

- Weight limit: *Activity level K3= 150kg (330lbs)*
Activity level K4= 145kg (320lbs)
- Weight: 1,219g (43oz)
- Build height: 230mm (9¹/₁₆")
- Overall height: 245mm (9¹¹/₁₆")
- Knee flexion angle: 160°
- Activity level: *High to very high (K3–K4)*
- Available with "Swing & Stance" or "Swing Only" CaTech Rex hydraulic units
- Please note: When attaching proximal adapter, it is important to use the long screws on the anterior of the knee, with the short screws at the posterior.
- Required torque for proximal adapter screws is 15Nm

Indications:

- Long-limbed transfemoral amputees
- Highly active patients

Contraindications:

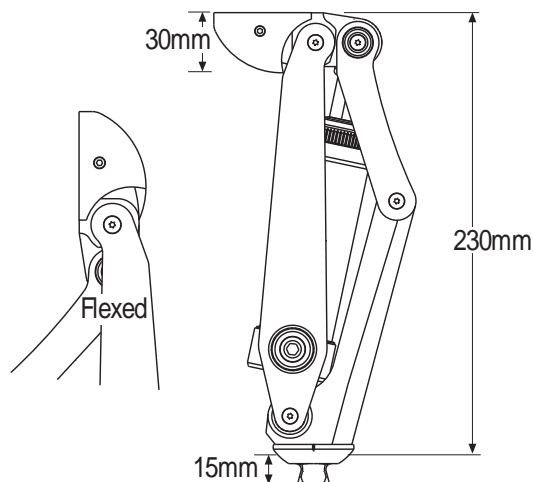
- Short residual limb length

Call Points:

- Prosthetist
- Prosthetic technician

Warranty:

- 36 months on frame and cylinder, against manufacturers defects



KX06® » Endolite

Item No.	Description	Hydraulic Unit	Weight Limit*	Weight	Build Height
EN-KX06	Polycentric knee	Swing & Stance	150kg (330lbs)	1,219g (43oz)	230mm (9 ¹ / ₁₆ "
EN-KX06-SWING	Polycentric knee	Swing	150kg (330lbs)	1,219g (43oz)	230mm (9 ¹ / ₁₆ "

Note: When attaching proximal adapter, it is important to use the long screws on the anterior of the knee, with the short screws at the posterior.

Important: Required torque for proximal adapter screws is 15Nm

KX06® » Adapters (Sold Separately)

Item No.	Description	Material	Weight Limit*	Weight
EN-EP-MSR	Sliding/rotating pyramid	Titanium	125kg (275lbs)	142g (5oz)
EN-189310-C	4-hole pyramid	Titanium	125kg (275lbs)	23g (0.8oz)
EN-189310-R	Rotating 4-hole pyramid	—	125kg (275lbs)	34g (1.2oz)
EN-169207	Short knee socket attachment	Aluminum	150kg (330lbs)	181g (6.4oz)
EN-169307	M36 threaded adapter socket attachment	Aluminum	150kg (330lbs)	65g (2.3oz)

* Based on a K3 activity level.