

Mercury Hi-Activity® **Hydraulic Knee**

Supplier:
Endolite

Features & Benefits:

- Short built height: accomodates patients with longer limbs
- Allows easy prosthetic finition
- Quiet
- Smooth transition from stance to swing
- Proximal four bolt attachment allows choice of sliding and rotating pyramid or four bolt pyramid
- Available order with distal option: pyramid or 30 mm clamp
- Needle roller bearing

Specifications:

- Models available: Swing and stance unit, and swing unit (SR)
- Weight: 680 g (excluding Catech cylinder for EN-MHPYR and EN-MHPYR-SR)
- Height: 23.1 cm for models EN-MHPYR, EN-MHPYR-SR with distal pyramid and 25.5 cm for models EN-MH30, EN-MH30-SR with 30 mm clamp
- Maximum 125° flexion
- Minimum clearance required: 26 mm
- Rated to 136 kg (300 lbs) for activity level K1–K4
- Carbon composite frame
- Hydraulic Catech 700Rex cylinder
- Separate flexion and extension control dials
- 25 mm single axis geometry

Indications:

- Transfemoral amputations
- Active patients

Call Points:

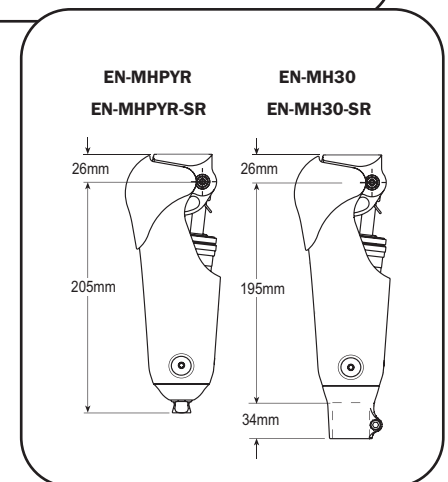
- Prosthetist
- Prosthetic technician

Warranty:

- Three years on hydraulic and two years on frame, against manufacturer defects



20E8



Mercury Hi-Activity® » Endolite

Item No.	Description
EN-MHPYR	Prosthetic knee distal pyramid with swing and stance unit
EN-MH30	Prosthetic knee 30 mm distal clamp with swing and stance unit
EN-MHPYR-SR	Prosthetic knee distal pyramid with swing unit
EN-MH30-SR	Prosthetic knee 30 mm distal clamp with swing unit

PARTS & ACCESSORIES

EN-AK30M1	Tube clamp adapter 30mm (rated to 136 kg [300 lbs])
EN-189310-C	4-Bolt pyramid
EN-239017	Sliding and rotating pyramid adapter
EN-239019	Short knee alignment kit adapter
EN-330146	Pylon 30mm (rated to 136 kg [300 lbs])