

» Cylindrical Lock

Shuttle Lock

Supplier:

Fillauer LLC

Features & Benefits:

- Dependable shuttle design
- Strong, lightweight, fiber-reinforced body
- Retrofits into other cylindrical lock sockets
- Standard 4-hole attachment pattern and distal end profile
- Adjustable push button
- Will not bind when torqued
- Serrated pin-type attachment

Specifications:

- Diameter: *63.5mm (2½")*
- Build height: *25.4mm (1")*
- Weight limit: *136kg (300lbs)*
- Weight: *88g (3.1oz)*
- Includes two 1" or 1½" plungers, latch pin button, lock body and cap screws

Indications:

- Thermoformed or laminated sockets

Contraindications:

- Narrow distal end
- Previous pin marring issues
- Long limb lengths
- Offset alignment

Call Points:

- Prosthetist
- Prosthetic technician

Warranty:

- Against manufacturers defects



Cylindrical Lock » Fillauer LLC

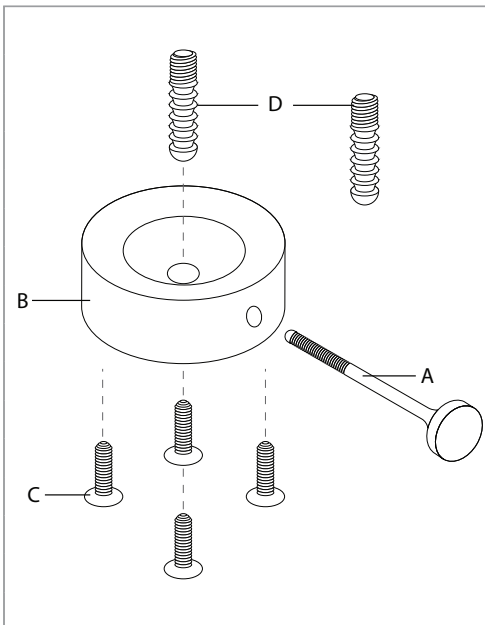
Item No.	Description	Diameter	Build Height	Weight
DF-125240	Cylindrical shuttle lock with 1" plungers	63.5mm (2½")	25.4mm (1")	88g (3.1oz)
DF-125241	Cylindrical shuttle lock with 1½" plungers	63.5mm (2½")	25.4mm (1")	88g (3.1oz)

Cylindrical Lock Fabrication Kit

DF-809867 Cylindrical housing dummy kit

Note: Fabrication kits DF-125204 and DF-125202 may also be used with the Cylindrical Lock

Cylindrical Lock » Parts



Item No.	Description
A DF-809685	Latch pin button for lock system
B DF-809873	Cylindrical lock body
C DF-880285	M6-1 x 25mm flat socket head cap screw (4 each)
D DF-809722	Plunger 1", with ¼" thread
D DF-809722mm	Plunger 1", with M10 metric thread
D DF-809725	Plunger 1½", with ¼" thread
D DF-809725mm	Plunger 1½", with M10 metric thread
D DF-809727	Plunger 2", with ¼" thread
D DF-809727mm	Plunger 2", with M10 metric thread
D DF-809720mm	Plunger 2½", with M10 metric thread
D DF-809721mm	Plunger 3", with M10 metric thread
DF-809864	Fabrication dummy body (included in DF-809867 fabrication kit)
DF-880275	M6-1 x 16mm socket head set screw (included in DF-809867 fabrication kit)
DF-880494	5/16"-18 x 3" socket head set screw (included in DF-809867 fabrication kit)
DF-809791	Fabrication dummy body (included in DF-809867 fabrication kit)