

» E-400 Elbow

Prosthetic Elbow

Supplier:

Hosmer Dorrance Corporation (Fillauer)

Features & Benefits:

- Mechanical elbow
- Accommodates lift assist unit on left or right side
- Heavy duty saddle strap available

Specifications:

- Types: *Standard, Heavy Duty, Extra Heavy Duty and Power Bow*
- Locking positions: *11 for Standard, 8 for Heavy Duty, Extra Heavy Duty and Power Bow*
- Elbow axis to socket end: *5.4cm (2¹/₈"*)
- Diameter: *7.1cm (2¹³/₁₆"*)
- Weight: *Standard= 420g (15oz)*
Heavy Duty= 420g (15oz)
Extra Heavy Duty= 480g (17oz)
Power Bow= 598g (21.2oz)
- Inside or outside cable exit
- Lift assist unit sold separately
- Supplied with caucasian elbow cap unless otherwise specified

Indications:

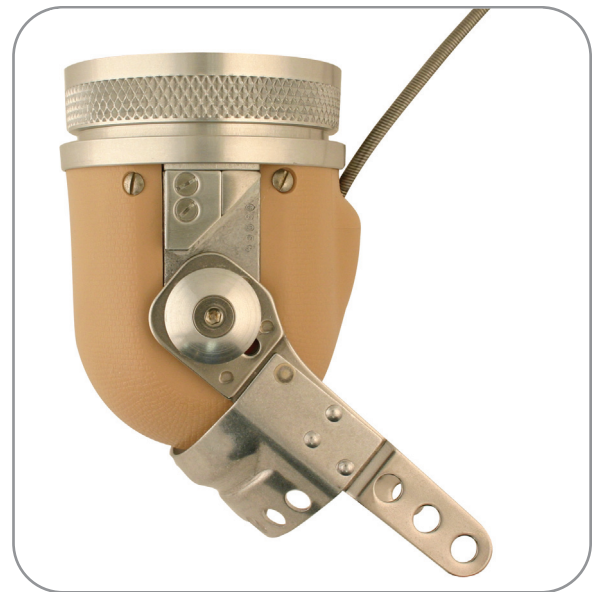
- Transhumeral amputations

Call Points:

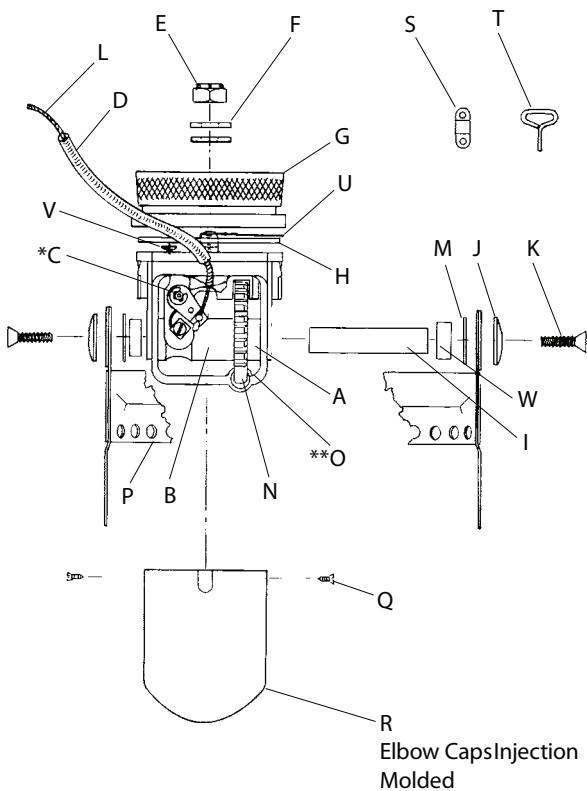
- Prosthetist
- Prosthetic technician

Warranty:

- 18 months, against manufacturers defects



Item No.	Model	Description	Elbow	Diameter	Weight
HD-50650	E-400	Elbow with outside cable exit	5.4cm (2 ¹ / ₈ "	7.1cm (2 ¹³ / ₁₆ "	420g (15oz)
HD-50651	E-400	Elbow with inside cable exit	5.4cm (2 ¹ / ₈ "	7.1cm (2 ¹³ / ₁₆ "	420g (15oz)
HD-50653	E-400HD	Heavy-duty elbow with outside cable exit	5.4cm (2 ¹ / ₈ "	7.1cm (2 ¹³ / ₁₆ "	420g (15oz)
HD-61658	E-400HD	Heavy-duty elbow with inside cable exit	5.4cm (2 ¹ / ₈ "	7.1cm (2 ¹³ / ₁₆ "	420g (15oz)
HD-60149	E-400XD	Extra Heavy-duty elbow with outside cable exit	5.4cm (2 ¹ / ₈ "	7.1cm (2 ¹³ / ₁₆ "	480g (17oz)
HD-60665	Power-Bow	Elbow with outside cable exit with reinforced parts	5.4cm (2 ¹ / ₈ "	7.1cm (2 ¹³ / ₁₆ "	597.5g (21.2oz)



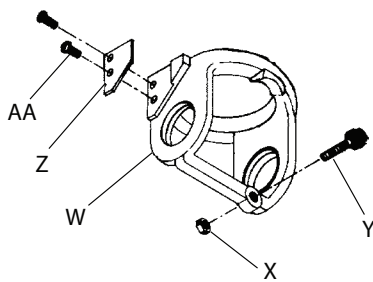
* = See internal assembly diagram on next page

** = See yoke assembly diagram below

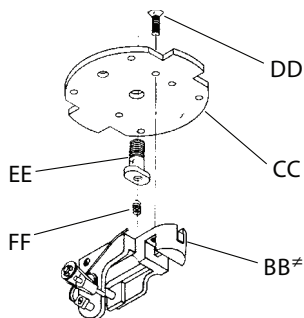
E-400 Elbow » Parts

	Item No.	Description	For Model
A	HD-50720	Short sleeve	
B	HD-50721	Long sleeve	
C**	HD-57497	Internal assembly	E-400 & E-400HD
C***	HD-57497	Internal assembly	Power Bow
D	HD-50725	Cable housing assembly	
E	HD-50667	Lock nut	
F	HD-50668	Belleville washer	
G	HD-50658	Turntable	E-400 & E-400HD
G	HD-50659	Turntable	E-400A
H	HD-50665	Cork washer	
I	HD-50719	Shaft	
J	HD-50739	Outside washer	
K	HD-50740	Screw	
L	HD-50724	Cable assembly	
M	HD-50729	Washer	
N	HD-62235	Heavy duty gear sector	E-400 & E-400A
N	HD-62236	Gear sector	E-400HD
N	HD-62237	Extra heavy duty gear sector	E-400XD & Power Bow
O*	HD-50748	Yoke assembly	E-400, E-400A & E-400HD
O	HD-60143	Yoke assembly	E-400XD
O	HD-60664	Yoke assembly	Power Bow
P	HD-50730	Elbow Saddle Assembly	E-400 & E-400A
P	HD-50738	Elbow Saddle Assembly	E-400HD
Q	HD-50742	Sheet Metal Screw	
R	HD-50645	Elbow cap – Caucasian	E-400 & E-400HD
R	HD-53926	Elbow cap – Caucasian	E-400A
R	HD-54425	Elbow cap – Light Brown	E-400
R	HD-54424	Elbow cap – Light Brown	E-400A
R	HD-54422	Elbow cap – Med. Brown	E-400
R	HD-54421	Elbow cap – Med. Brown	E-400A
R	HD-54419	Elbow cap – Dark Brown	E-400
R	HD-54418	Elbow cap – Dark Brown	E-400A
S	HD-50427	Anchor	
T	HD-50747	Hanger	
U	HD-50680	Bolt	
V	HD-50678	Screw	

**E-400 & E-400HD »
Yoke Assembly (O*)**

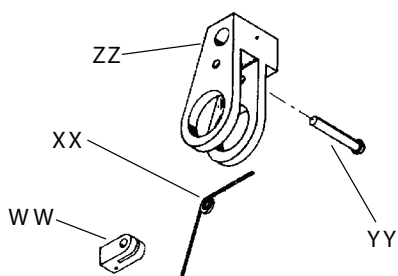


	Item No.	Description
W	HD-50671	Yoke
X	HD-50675	Nut
Y	HD-50674	Bumper
Z	HD-50758	Right yoke cover
AA	HD-50773	Left yoke cover
	HD-50761	Screw

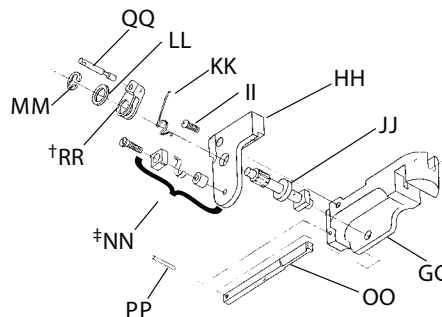
E-400 & E-400HD » Internal Assembly (C)**
Internal Assembly


* = See internal cage assembly right

Item No.	Description
BB*	HD-57496 Internal cage assembly
CC	HD-50677 Base
DD	HD-50679 Screw
EE	HD-50680 Bolt
FF	HD-50715 Locking bar spring

Lever Sub Assembly (RR[†])


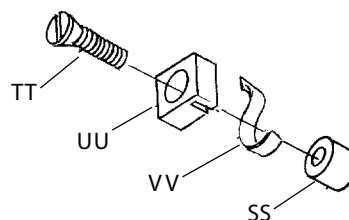
Item No.	Description
WW	HD-50630 Pawl
XX	HD-50705 Spring
YY	HD-50706 Pin
ZZ	HD-50688 Lever

Internal Cage Assembly (BB*)


† = See ratchet assembly diagram below

† = See lever sub assembly diagram below

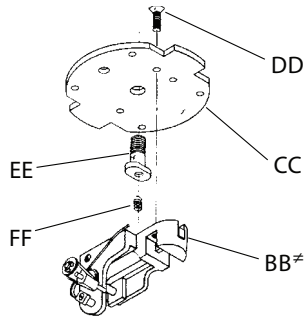
Item No.	Description
GG	HD-50681 Cage
HH	HD-50684 Cam bearing
II	HD-50831 Screw
JJ	HD-50687 Cam
KK	HD-50689 Spring
LL	HD-50701 Washer
MM	HD-50160 Retaining clip
NN [†]	HD-50709 Ratchet assembly
OO	HD-50714 Locking bar
PP	HD-50813 Case pin
QQ	HD-50713 Cable pin
RR [†]	HD-55561 Lever sub assembly

Ratchet Assembly (NN[†])


Item No.	Description
SS	HD-50711 Spacer
TT	HD-50712 Screw
UU	HD-50708 Keeper
VV	HD-50710 Ratchet

Power Bow » Internal Assembly (C*)**

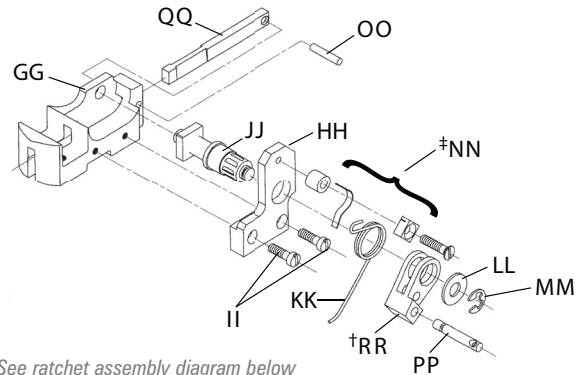
Internal Assembly



≠ = See internal cage assembly right

Item No.	Description
BB [≠]	HD-60148 Internal cage assembly
CC	HD-50677 Base
DD	HD-50679 Screw
EE	HD-50680 Bolt
FF	HD-50715 Locking bar spring

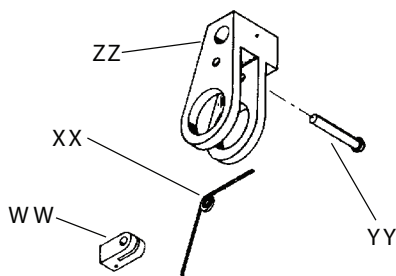
Internal Cage Assembly (AA[≠])



‡ = See ratchet assembly diagram below
 † = See lever sub assembly diagram below

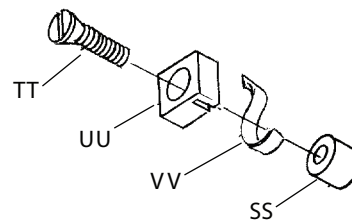
Item No.	Description
GG	HD-50681 Cage
HH	HD-50684 Cam bearing
II	HD-50831 Screw
JJ	HD-50687 Cam
KK	HD-50689 Spring
LL	HD-50701 Washer
MM	HD-50160 Retaining clip
NN [‡]	HD-50709 Ratchet assembly
OO	HD-50714 Locking bar
PP	HD-50813 Case pin
QQ	HD-50713 Cable pin
RR [†]	HD-55561 Lever sub assembly

Lever Sub Assembly (RR[†])



Item No.	Description
WW	HD-50630 Pawl
XX	HD-50705 Spring
YY	HD-50706 Pin
ZZ	HD-50688 Lever

Ratchet Assembly (NN[‡])



Item No.	Description
SS	HD-50711 Spacer
TT	HD-50712 Screw
UU	HD-50708 Keeper
VV	HD-50710 Ratchet