

## » E-50 Elbow

### *Prosthetic Elbow*

**Supplier:**

Hosmer Dorrance Corporation (Fillauer)

**Features & Benefits:**

- Child size mechanical elbow

**Specifications:**

- Locking positions: 10
- Elbow axis to socket end: 4.4cm (1¾")
- Diameter: 5.1cm (2")
- Weight: 210g (7.5oz)
- Available with inside or outside cable exit

**Indications:**

- Transhumeral amputations

**Call Points:**

- Prosthetist
- Prosthetic technician

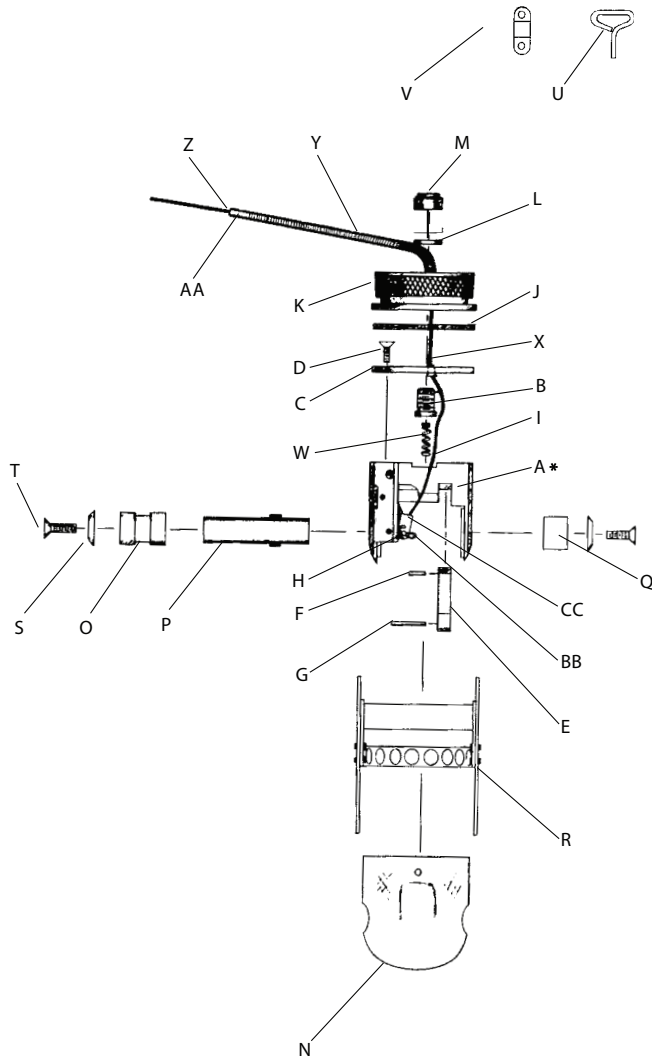
**Warranty:**

- 18 months, against manufacturers defects



Item No.	Model	Description	Size	Elbow	Diameter	Weight
HD-50556	E-50	Elbow with outside cable exit	Child	4.4cm (1¾")	5.1cm (2")	210g (7.5oz)
HD-50557	E-50A	Elbow with inside cable exit	Child	4.4cm (1¾")	5.1cm (2")	210g (7.5oz)

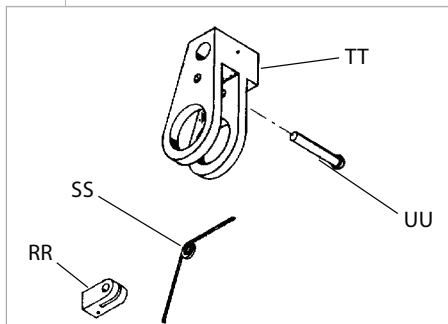
**E-50 Elbow » Parts**



Item No.	Description	For Model
A*	Yoke assembly	
B	Bolt	
C	Base	
D	Screw	
E	Gear sector	
F	Short pin	
G	Long pin	
H	Cable pin	
I	Cable assembly	E-50A
J	Cork	
K	Turntable	E-50
K	Turntable	E-50A
L	Washer	
M	Nut	
N	Elbow cap	
O	Long sleeve	
P	Shaft	
Q	Short sleeve	
R	Saddle assembly	
S	Outside washer	
T	Screw	
U	Hanger	
V	Anchor	
W	Spring	
X	Cable guide	E-50A
Y	Cable housing	E-50A
Z	Ferrule	E-50A
AA	Clear vinyl tubing	E-50A
BB	Cotton pin	E-50A
CC	Swivel lever	E-50A

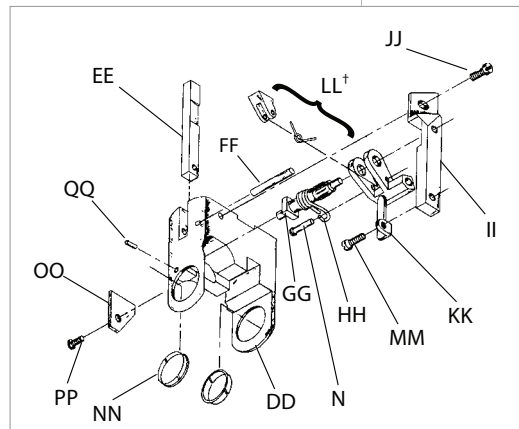
\* See yoke assembly diagram below

**E-50 Elbow »  
Lever Assembly (LL<sup>†</sup>)**



Item No.	Description
RR	HD-50630 Pawl
SS	HD-50705 Spring
TT	HD-50574 Lever
UU	HD-50706 Pin

**E-50 Elbow » Yoke Assembly (A\*)**



† See lever assembly diagram on left

Item No.	Description
DD	HD-50565 Yoke
EE	HD-56110 Locking bar
FF	HD-50813 Case pin
GG	HD-50573 Cam
HH	HD-50629 Spring
II	HD-50572 Cam bearing
JJ	HD-50627 Screw
KK	HD-50632 Ratchet
LL <sup>†</sup>	HD-50648 Lever assembly
MM	HD-56659 Screw
NN	HD-50566 Bushing
OO	HD-50567 Bumper
PP	HD-50568 Screw
QQ	HD-51684 Pin