

## » FW Flexion Friction Wrist

### Prosthetic Wrist

#### Supplier:

Hosmer Dorrance Corporation (Fillauer)

#### Features & Benefits:

- May be flexed and locked 0, 30 or 50 degrees by means of a lever
- Automatic locking in all settings
- Easily adjusted friction resistance
- Facilitates midline activities

#### Specifications:

- Positions: 0, 30 or 50 degrees of flexion
- Materials: Aluminum and Stainless steel\*  
(\* Stainless steel available for Adult size only)
- Sizes: Child, Medium-Small and Adult
- Diameter: Child= 3.8cm (1-1/2")  
Medium-Small= 4.4cm (1 3/4")  
Adult= 5.1cm (2")
- Weight: Child= 49g (1.75oz)  
Medium-Small= 71g (2.5oz)  
Adult= 92g (3.25oz)  
Adult (SS)= 221g (7.8oz)
- Threads: Standard 1/2-20 and M12 x 1.5mm

#### Indications:

- Transradial and transhumeral amputations
- Recommended for use with hooks only

#### Call Points:

- Prosthetist
- Prosthetic technician

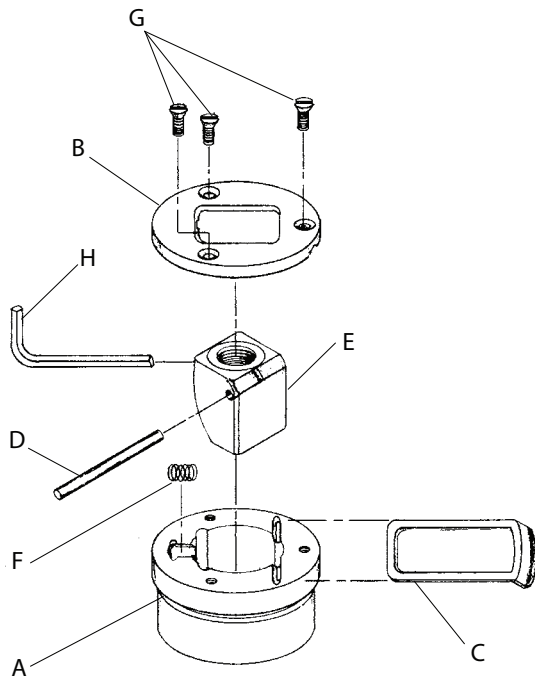
#### Warranty:

- 18 months, against manufacturers defects



Item No.	Model	Description	Size	Thread	Diameter	Weight
HD-51078	FW-200	Quick changing wrist	Child	Standard 1/2-20	3.8cm (1 1/2")	49g (1.75oz)
HD-58221	FW-200	Quick changing wrist	Child	M12 x 1.5mm	3.8cm (1 1/2")	49g (1.75oz)
HD-51084	FW-300	Quick changing wrist	Med-Small	Standard 1/2-20	4.4cm (1 3/4")	71g (2.5oz)
HD-58220	FW-300	Quick changing wrist	Med-Small	M12 x 1.5mm	4.4cm (1 3/4")	71g (2.5oz)
HD-51100	FW-500	Quick changing wrist	Adult	Standard 1/2-20	5.1cm (2")	92g (3.25oz)
HD-58219	FW-500	Quick changing wrist	Adult	M12 x 1.5mm	5.1cm (2")	92g (3.25oz)
HD-51101	FW-500S	Stainless steel quick changing wrist	Adult	Standard 1/2-20	5.1cm (2")	221g (7.8oz)

**FW Flexion Friction Wrist » Parts**



Item No.	Description	For Model
A	HD-51102 Body	FW-500
A	HD-51085 Body	FW-300
A	HD-51079 Body	FW-200
A	HD-51103 Body	FW-500S
B	HD-51104 Cover	FW-500
B	HD-51086 Cover	FW-300
B	HD-51080 Cover	FW-200
B	HD-51105 Cover	FW-500S
C	HD-51117 Lever lock assembly	FW-500 & FW-500S
C	HD-51089 Lever lock assembly	FW-300
C	HD-51083 Lever lock assembly	FW-200
D	HD-51106 Locking pin	FW-500 & FW-500S
D	HD-51087 Locking pin	FW-300
D	HD-51081 Locking pin	FW-200
E	HD-51114 Swivel base assembly, 1/2-20 thread	FW-500, FW-300 & FW-200
E	HD-52830 Swivel base assembly, 1/2-20 thread	FW-500S
E	HD-58218 Swivel base assembly, metric thread	FW-500, FW-300 & FW-200
F	HD-51111 Spring	FW-500, FW-300 & FW-500S
F	HD-51082 Spring	FW-200
G	HD-50571 Screw	FW-500 & FW-500S
G	HD-51825 Screw	FW-300
G	HD-70058 Screw	FW-200
H	HD-52154 Allen wrench	
H	HD-52155 Adjustment screw	