

» WD Quick Change Wrist

Prosthetic Wrist

Supplier:

Hosmer Dorrance Corporation (Fillauer)

Features & Benefits:

- Permits quick changes of the terminal device or its position
- Wrist face is rotated in one direction to allow removal of terminal device
- Rotating in opposite direction will place terminal device in free rotation
- Central position of wrist face locks position of the terminal device and will not turn or pull out of wrist

Specifications:

- Materials: *Aluminum and Stainless steel*
- Diameter: *5.1cm (2")*
- Weight: *Aluminum insert= 99g (3.75oz)*
Stainless Steel sleeve and insert= 120g (4.25oz)
All Stainless Steel wrist and insert= 201.3g (7.1oz)
- Thread: *Standard 1/2-20*

Indications:

- Transradial and transhumeral amputations

Call Points:

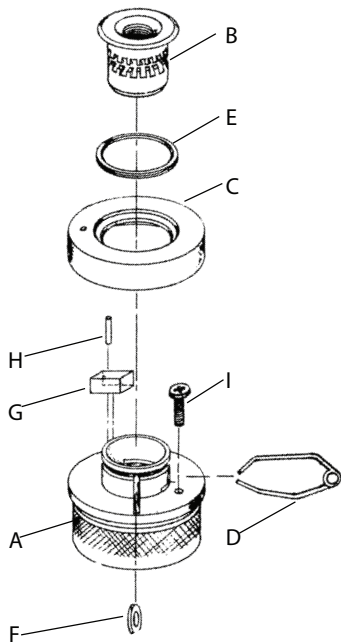
- Prosthetist
- Prosthetic technician

Warranty:

- 18 months, against manufacturers defects



Item No.	Model	Description	Material	Thread	Diameter	Weight
HD-52127	WD-400	Quick changing wrist	Aluminum	Standard 1/2-20	3.8cm (1 1/2")	49g (1.75oz)
HD-52128	WD-400S	Quick changing wrist	Aluminum body / SS insert	Standard 1/2-20	3.8cm (1 1/2")	120g (4.25oz)
HD-53896	WD-400SS	Quick changing wrist	Stainless steel	Standard 1/2-20	3.8cm (1 1/2")	71g (2.5oz)



WD Quick Change Wrist » Parts

Item No.	Description	For Model
A HD-52129	Body	WD-400
A HD-52130	Body	WD-400S
A HD-52131	Body	WD-400SS
B HD-50527	Insert	WD-400
B HD-50528	Insert	WD-400S & WD-400SS
C HD-52133	Cover assembly	WD-400 & WD-400S
C HD-56009	Cover assembly	WD-400SS
D HD-54661	Spring lock	
E HD-52136	Retaining ring	
F HD-52139	Washer	
G HD-55510	Felt oiling pad	
H HD-50873	Roll pin	
I HD-50166	Screw	