

## » Icelock® Ratchet 721 Small

### Lock

#### Supplier:

Ossur Americas

#### Features & Benefits:

- Ultra lightweight
- Very strong and durable
- Easy to service: removable from inside of socket
- Reusable fabrication tools
- 30% smaller than those in the Icelock 600 series
- Alloy body and wear-resistant stainless steel pin guide

#### Specifications:

- Type: *Small ratchet lock without adapter*
- Weight limit: *45kg (99lbs) (Determined by the distal adapter)*
- Build height: *13mm (1/2")*
- Weight: *20g (0.7oz)*
- Available without distal attachment, with stainless pyramid or with alloy 4-hole adaptor
- For use with Iceross® Junior and Iceross® Upper-X liners

#### Indications:

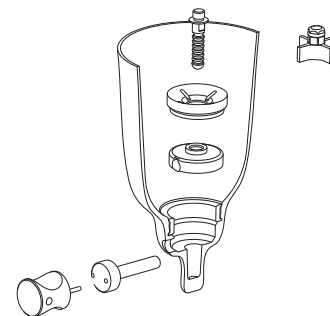
- Ideal for lower extremity applications for children
- Upper extremity fittings when a low build-height locking mechanism is required

#### Call Points:

- Prosthetist
- Prosthetic technician

#### Warranty:

- One year, against manufacturers defects



Double lamination  
Icelock Ratchet 721

**Icelock® Ratchet 721 Small » Ossur Americas**

Item No.	Model	Description	Weight limit	Build Height	Weight
OS-L-721000	721	Small ratchet lock <i>(without adapter)</i>	—	13mm (½")	20g (0.7oz)

**Adapters**

OS-L-773000	773	Stainless steel pyramid	45kg (99lbs)	—	—
OS-L-774000	774	Alloy 4-hole adapter	45kg (99lbs)	—	—

**Fabrication Tools**

OS-L-780000	780	Small reusable fabrication kit <i>(Must be purchased before first use of 721)</i>			
OS-L-792016		Small release key <i>(A tool to tighten and release the release unit)</i>			

**Parts**

Item No.	Description
<b>For Ratchet</b>	
OS-L-792150	Small fabrication ring
OS-L-792020	Small ratchet lock <i>(without adapter)</i>
OS-L-792110	Small funnel
OS-L-792027	Small release unit
OS-L-792100	Small attachment pin ratchet
OS-L-793112	Small silicone seal
<b>For Fabrication Kit</b>	
OS-L-792119	Small steel guide
OS-L-792010	Small lock dummy <i>(with O-ring)</i>
OS-L-792120	Small release dummy
OS-L-792130	Small pin dummy
OS-L-793110	Small pin dummy bolt
OS-L-792015	Hex driver <i>(with O-ring)</i>
OS-L-792017	Small cross driver <i>(with O-ring)</i>