

## » Total Knee® 2100

### Polycentric Knee

#### Supplier:

Ossur Americas

#### Features & Benefits:

- Designed for high impact multi-speed ambulators and heavier load bearing
- Polycentric knee with geometric locking system
- 30mm pylon adaptability
- Same 3-phase hydraulic swing phase system as the Total Knee® 2000, with a 25% larger fluid capacity
- Adjustable stance flexion and extension promoter
- Low build height — useful for long transfemoral limbs or knee disarticulation

#### Specifications:

- Weight limit: 125kg (275lbs)
- Weight: 900g (31.7oz)
- Build height: 139mm (5<sup>7</sup>/<sub>16</sub>"
- Overall height: 175mm (6<sup>7</sup>/<sub>8</sub>"
- Knee flexion angle: 160°
- Activity level: High to Very High (K3-K4)
- Adjustable stance flexion
- Adjustable extension promoter
- Includes knee, red (regular durometer) bumper, bumper cover and shims
- Pyramid adapters available (sold separately)

#### Indications:

- Highly active lifestyle
- Patients requesting variable stability

#### Contraindications:

- Patients weighing less than 50kg (110lbs)

#### Call Points:

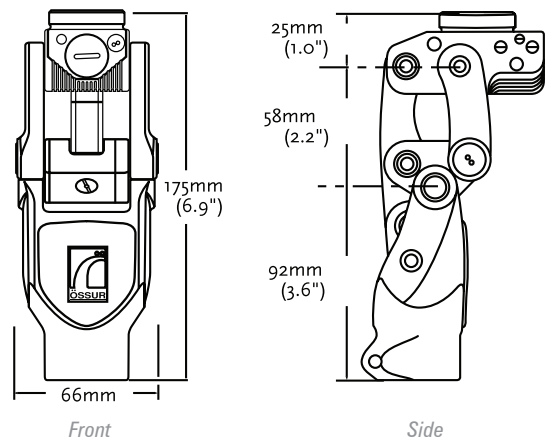
- Prosthetist
- Prosthetic technician

#### Warranty:

- Two years, against manufacturers defects



"Photo Courtesy of Ossur Americas, www.ossur.com"



Item No.	Description	Weight Limit	Weight	Build Height
OS-2100	Polycentric knee	125kg (275lbs)	900g (31.7oz)	139mm (5 <sup>7</sup> / <sub>16</sub> "

### Total Knee® 2100 » Bumper Selection

Color	Durometer	Weight Limit
Black	Soft	50–70 kg (110–154 lbs)
Red	Regular	70–90 kg (154–198 lbs)
Yellow	Firm	90–110 kg (198–242 lbs)
Orange	Extra Firm	110–125 kg (242–275 lbs)

**Total Knee® 2100 » Parts and Accessories**

Item No.	Description	Size	Color	
<b>Cosmetic Finishing</b>				
OS-2145	Shin fairing	—	Black	
OS-2150	Knee cap	Small	Black	
OS-2151	Knee cap	Large	Beige	
Item No.	Description	Includes		
<b>Bumper Kit</b>				
OS-2100-KIT	A complete set of bumpers and shims	One bumper of each durometer One 0.38mm (.015") and one 0.76mm (.03") shims		
Item No.	Description	Color	Weight Limit	Durometer
<b>Bumpers</b>				
OS-2100-317B	Bumper	Black	50–70 kg (110–154 lbs)	Soft
OS-2100-317R	Bumper	Red	70–90 kg (154–198 lbs)	Regular
OS-2100-317Y	Bumper	Yellow	90–110 kg (198–242 lbs)	Firm
OS-2100-317O	Bumper	Orange	110–125 kg (242–275 lbs)	Extra Firm
Item No.	Description			
<b>Bumper Cover</b>				
OS-2100-717	Bumper cover for Total Knee 2100			
Item No.	Description	Thickness		
<b>Shims</b>				
OS-2100-312A	Plastic shim	0.38mm (.015")		
OS-2100-312B	Plastic shim	0.76mm (.03")		
Item No.	Description			
<b>Extension Promoter</b>				
OS-1905	Assists in limiting heel rise and moving the knee into a fully extended position			
Item No.	Description	Color	Stiffness	
<b>Extension Assist</b>				
OS-2070S	Fully assembled Extension Assist with yellow spring inserted, blue and red springs included	Yellow	Regular	
		Blue	Firm	
		Red	Extra Firm	
Item No.	Description			
<b>Insert for 34mm Pylon</b>				
OS-2100-335	Aluminum pylon insert (split) for 30mm tubes			

**Total Knee® » Adapters (Sold Separately)**

Item No.	Description	Material	Weight Limit	Weight
OS-A-122300	Euro 4-hole adapter	Aluminum	125kg (275lbs)	65g (2.3oz)
OS-A-834300	Male pyramid adapter	Stainless Steel	100kg (220lbs)	111g (3.9oz)
OS-A-835300	Male pyramid adapter	Titanium	166kg (365lbs)	80g (2.8oz)
OS-A-845300	Female pyramid adapter	Titanium	166kg (365lbs)	85g (3oz)