

## » Graph-Lite™ 5-Bar Pneumatic Knee

### *Polycentric Knee*

#### **Supplier:**

Teh Lin Prosthetics & Orthotics Inc.

#### **Features & Benefits:**

- 5-bar knee designed for active knee disarticulation patients
- Adjustable extension assist for improved control swing phase
- Programmable centrede (PC) allows for optimal adjustment of the patients center of balance
- Adjustable stance flexion stability that engages when knee is at 0°–15° flexion
- Smooth pneumatic "hydraulic-like" functionality
- Sealed, ball bearing axis
- Lightweight, low maintenance and durable

#### **Specifications:**

- Types: *Standard and Disarticulated Knee*
- Materials: *Standard= Carbon fiber and aluminum*  
*Disarticulated knee= Carbon fiber and aluminum, with titanium alloy connecting rod*
- Weight limit: *100kg (220lbs)*
- Weight: *Standard= 1,005g (35.5oz)*  
*Disarticulated knee= 1,000g (35.3oz)*
- Build height: *Standard= 197mm (7<sup>13</sup>/<sub>16</sub>"*)  
*Disarticulated knee= 193mm (7<sup>5</sup>/<sub>8</sub>"*)
- Overall height: *Standard= 235mm (9<sup>1</sup>/<sub>4</sub>"*)  
*Disarticulated knee= 250mm (9<sup>7</sup>/<sub>8</sub>"*)
- Knee flexion angle: *Standard= 138°*  
*Disarticulated knee= 135°*
- Activity level: *Moderate to High (K2–K3)*
- Accepts a 30mm pylon

#### **Indications:**

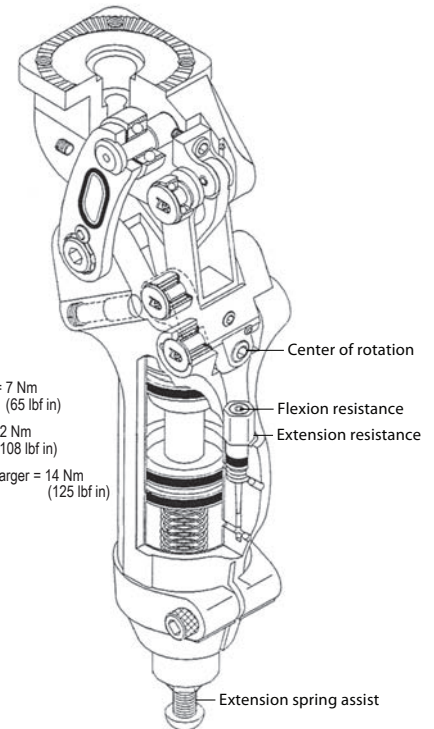
- Active transfemoral or disarticulation amputees
- Patients requesting variable stability

#### **Call Points:**

- Prosthetist
- Prosthetic technician

#### **Warranty:**

- 18 months, against manufacturers defects



**Graph-Lite™ 5-Bar Pneumatic Knee » Teh Lin Prosthetics & Orthotics Inc.**

Item No.	Description	Weight Limit	Weight	Build Height
TEH-A-TGK-5PS0	Polycentric knee	100kg (220lbs)	1005g (35.5oz)	197mm (7 <sup>13</sup> / <sub>16</sub> "
TEH-A-TGK-5PS10	Polycentric disarticulation knee	100kg (220lbs)	1000g (35.3oz)	193mm (7 <sup>5</sup> / <sub>8</sub> "

**Graph-Lite™ 5-Bar Pneumatic Knee » Parts and Accessories**

Item No.	Description	Material	Weight Limit	Weight		
<b>Adapters</b>						
TEH-TPS-M6	Adjustable pyramid	Aluminum	100kg (220lbs)	90g (3.2oz)		
TEH-D-TSC-KD-L	L-Bracket with extensions	Stainless steel	100kg (220lbs)	240g (8.5oz)		
Item No.	Description	Flexion	Material	Weight Limit	Height	Weight
<b>Knee Rotator</b>						
TEH-D-TKR-01	Knee rotator	180°	Aluminum	100kg (220lbs)	19mm (3/8")	185g (6.5oz)
Item No.	Description	Knee Model	Material			
<b>Cosmetic Finishing</b>						
TEH-TFC-ECG50S0	Knee cap	TGK-5PS0	Polyurethane			
TEH-TFC-ECG50S10	Knee cap	TGK-5PS10	Polyurethane			