

» Littig Hip System

Hip Disarticulation System

Supplier:

Trulife Group, Ltd.

Features & Benefits:

- Modular hip system
- Composite strut provides energy through flexion during weight bearing
- Modifiable height for more natural gait — eliminates patient hip vaulting action
- Patient specific carbon composite strut available in various degrees of stiffness

Specifications:

- Types: *Adult and Child's Play (Pediatric)*
- Materials: *Strut= Carbon composite*
Hip joint= Titanium
- Weight limit: *Adult= 100kg (220lbs)*
Child's Play= 60kg (132lbs)
- Weight: *Adult= 900g (31.8oz)**
*Child's Play= 660g (23.3oz)**
(approximate weight)*
- Strut stiffnesses: *Adult= Soft, Medium, Firm, X-Firm*
Child's Play= X-Soft, Soft, Medium, Firm, X-Firm
- Strut height: *Adult= 355mm (14")*
Child's Play= 305mm (12")
- Build height: *Adult= 419mm (16½")*
Child's Play= 272mm (10²³/₃₂")
- Adult size includes hip joint, 14" strut and 10° strut adapter for knee pyramid
- Child's Play size includes hip joint, 12" strut and 10° strut adapter for knee pyramid

Indications:

- Hip disarticulation amputees

Call Points:

- Prosthetist
- Prosthetic technician

Warranty:

- Two years from date of installation, against manufacturers defects



Littig Hip System » Trulife Group, Ltd.

Item No.	Description	Strut Stiffness	Strut Height	Build Height
Littig Adult Hip System — System and Components				
US-P28481	Prosthetic hip disarticulation system	Soft	355mm (14")	419mm (16½")
US-P28482	Prosthetic hip disarticulation system	Medium	355mm (14")	419mm (16½")
US-P28483	Prosthetic hip disarticulation system	Firm	355mm (14")	419mm (16½")
US-P28484	Prosthetic hip disarticulation system	Extra Firm	355mm (14")	419mm (16½")
US-P28480	Littig adult hip joint	—	—	—
US-25181	Littig adult strut	Soft	355mm (14")	—
US-25183	Littig adult strut	Medium	355mm (14")	—
US-25185	Littig adult strut	Firm	355mm (14")	—
US-25187	Littig adult strut	Extra Firm	355mm (14")	—
US-15037	Littig adult strut adapter — 0° angle	—	—	—
US-15038	Littig adult strut adapter — 10° angle	—	—	—
Child's Play Littig Hip System — System and Components				
US-P28466	Pediatric prosthetic hip disarticulation system	Extra Soft	305mm (12")	272mm (10 ²³ / ₃₂ ")
US-P28461	Pediatric prosthetic hip disarticulation system	Soft	305mm (12")	272mm (10 ²³ / ₃₂ ")
US-P28462	Pediatric prosthetic hip disarticulation system	Medium	305mm (12")	272mm (10 ²³ / ₃₂ ")
US-P28463	Pediatric prosthetic hip disarticulation system	Firm	305mm (12")	272mm (10 ²³ / ₃₂ ")
US-P28464	Pediatric prosthetic hip disarticulation system	Extra Firm	305mm (12")	272mm (10 ²³ / ₃₂ ")
US-P28460	Littig pediatric hip joint	—	—	—
US-25130	Littig pediatric strut	Extra Soft	305mm (12")	—
US-25131	Littig pediatric strut	Soft	305mm (12")	—
US-25133	Littig pediatric strut	Medium	305mm (12")	—
US-25135	Littig pediatric strut	Firm	305mm (12")	—
US-25137	Littig pediatric strut	Extra Firm	305mm (12")	—
US-13037	Littig pediatric strut adapter — 0° angle	—	—	—
US-13038	Littig pediatric strut adapter — 10° angle	—	—	—
US-13055	Littig strut adapter (Child's Play strut to adult hip) — 0° angle	—	—	—
US-13056	Littig strut adapter (Child's Play strut to adult hip) — 10° angle	—	—	—
Tools				
US-P21692	Littig hip system external forming tool	—	—	—
US-T28810	Littig hip system set-up clamp	—	—	—
US-T28900	Littig hip system tooling (lamination) — Regular	—	—	—
US-T28901	Littig hip system tooling (lamination) — Small	—	—	—
US-T28800	Littig hip system cutting and drilling fixture for struts — Regular	—	—	—
US-T28801	Littig hip system cutting and drilling fixture for struts — Small	—	—	—

Littig Hip Systems » Adult Strut Selection

Strut Length	45–59 kg (100–130 lbs)	60–72 kg (131–160 lbs)	73–86 kg (161–190 lbs)	87–100 kg (191–220 lbs)
30.5–35.5 cm (12"–14")	Medium	Firm	Firm	Extra Firm
25.5–30.5 cm (10"–12")	Medium	Medium	Medium	Firm
20.3–25.5 cm (8"–10")	Soft	Medium	Medium	Firm
15.2–20.3 cm (6"–8")	Soft	Soft	Medium	Medium

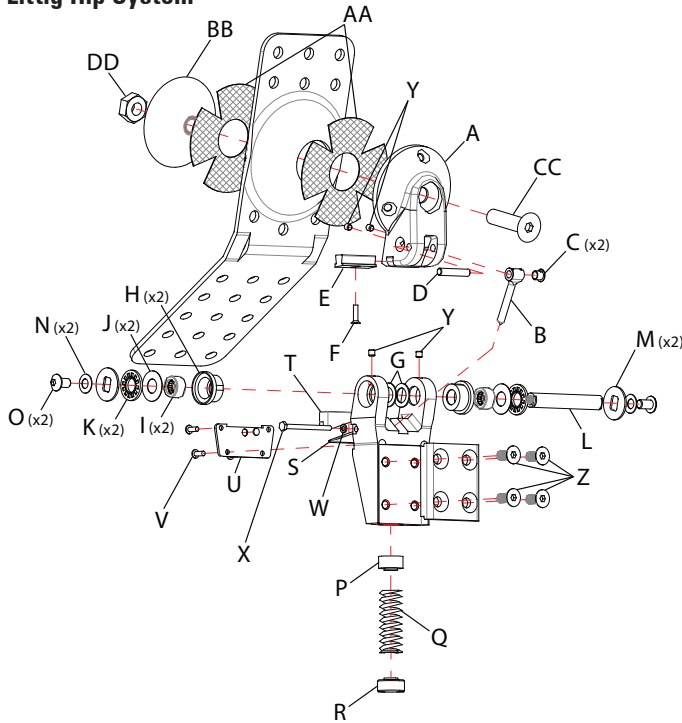
Littig Hip Systems » Pediatric Strut Selection

Strut Length	23–27 kg (50–60 lbs)	28–36 kg (61–80 lbs)	37–43 kg (81–95 lbs)	44–50 kg (96–110 lbs)	51–60 kg (111–132 lbs)
25.5–28 cm (10"–11")	Soft	Medium	Firm	Firm	Extra Firm
23–25.5 cm (9"–10")	Extra Soft	Soft	Medium	Firm	Extra Firm
20.3–23 cm (8"–9")	Extra Soft	Extra Soft	Soft	Medium	Firm

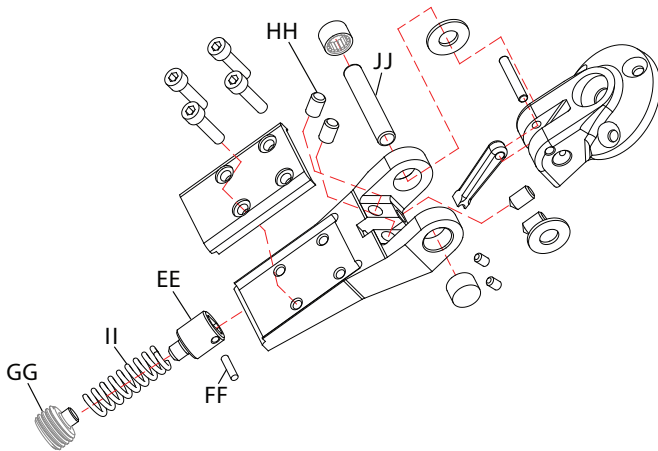
Littig Hip Systems » Parts

Please note: Some parts listed below apply to both the Littig and Child's Play Littig Hip Systems.

Littig Hip System



Child's Play Littig Hip System



Item No.	Description
A	US-P22771 Titanium upper bracket
B	US-P22777 Extension push rod
C	US-24811-001 Nyliner (3L3FK-642 Blue Type 6)
D	US-19721-001 Stainless steel dowel pin, $\frac{3}{16}$ x 1
E	US-P22786 Upper hip bracket bumper
F	US-24513-001 Stainless steel screw, M3 x 0.5P x 12 MM FH
G	US-16787-001 Delrin washer, 0.39 ID x 0.625 OD x 0.03 (x2)
	US-P11302 Bearing carrier roller assembly (includes the following seven items:)
H	US-P21644 Bearing carrier roller (x2)
I	Bearing roller (x2)
J	Race steel (x2)
K	Thrust bearing (x2)
L	US-17289-001 Hip through shaft
M	US-P21727 Anti-rotation washer H-C CH BS (x2)
N	Washers (x2)
O	Screws (x2)
P	US-P22774 Spring pusher
Q	US-24863-001 Heavy-duty spring
R	US-P22779 Adjustable spring knob
S	US-22866-001 Lower wedge
T	US-22865-001 Upper wedge
U	US-22868-001 Titanium joint cover
V	US-18760-001 Plated screws, M3-0.5P x 8MM BH
W	US-24671-001 High collar lock washer, M3
X	US-24516-001 Stainless steel screw, M3 x 0.5P x 40MM Hex HD
Y	US-9935-001 Stainless steel screw set, M4 x 0.07 x 4MM
Z	US-9091-006 Late face screw set M8-1.25 x 16M (x4)
AA	US-18648-001 Washer grit for cup connector
BB	US-P21914 Small inner cup (includes 10mm cinch nut)
	US-P22058 Cinch nut, 10mm
CC	US-24481-001 Black screw, M10-1.5P x 40MM FH
DD	US-24587-001 Zinc plated jam nut, M10-1.5P
EE	US-17283-001 Spring plunger (Child's Play only)
FF	US-17290-001 416 stainless steel dowel pin, HRDN, $\frac{1}{8}$ x 0.5
FF	US-17289-001 Steel dowl pin, HRDN, $\frac{5}{16}$ x 1.75 (not shown)
GG	US-17285-002 Anodized blue spring cap (Child's Play only)
HH	US-P22787 Upper hip bracket bumper (Child's Play only)
II	US-24865-001 Small spring (Child's Play only)
JJ	US-P23240 Socket attachment plate (Child's Play only)
	US-9950-007 Screw, FHSH M8 x 1.25 316ss x 40MM